

**Custom Cabinet Estimator**

Your Street  
 Your City, ST 00000  
 David McClatchey  
 State License #: BR549

**Estimate**

Testing this text

Job Name: Chapman  
 Lot Number: 114  
 Subdivision: Princeton Hills

**Sold To:**

Customer: Chapman Construction  
 Address: 2828 North Berry's Chapel Road  
 Franklin, TN 37069

Contact: Bill Chapman  
 Office: 615-373-1243  
 Fax: 615-373-0442  
 Cell: 615-948-7711  
 E-Mail: chapman05@bellsouth.net

**Ship To:**

Customer: Chapman Construction  
 Address: 2828 North Berry's Chapel Road  
 Franklin, TN 37069

Contact: Bill Chapman  
 Office: 615-373-1243  
 Main: 615-444-4444  
 Fax: 615-373-0442  
 Cell: 615-948-7711  
 E-Mail: chapman05@bellsouth.net

**Job Information for: Chapman Room: Kitchen x 1**

Job Trip Quantity: 1 Distance to job Site (miles): 18 Edgebanding Material: Need Selection

Cabinet Materials	Finish Process	Paint or Stain Color	Glaze Color
<b>Finished Interior</b> 3/4" Plywood-Cherry	Stain (LC)	Harvest Gold (LC)	Brown
<b>Unfinished Interior</b> 3/4" M2S-Maple Melamine	Pre-Finished	None	None
<b>Finished Exterior</b> 3/4" Hardwood-Cherry-B	Stain (LC)	Harvest Gold (LC)	Brown

Cabinet Type	Unfinished	Finished	Total	Cabinet Type	Unfinished	Finished	Total
Base Cabinet Box Qty	11			Base Cabinet Linear Footage	19	6	
Upper Cabinet Box Qty	7	1		Upper Cabinet Linear Footage	16.3	3	
Tall Cabinet Box Qty	2			Tall Cabinet Linear Footage	4.5		
Vanity Cabinet Box Qty	1			Vanity Cabinet Linear Footage			
<b>Total Box Qty:</b>	<b>21</b>	<b>1</b>	<b>22</b>	<b>Total Linear Footage:</b>	<b>39.8</b>	<b>9</b>	<b>48.8</b>

Doors	Style / Material	Panel Profile	Edge	Frame	Qty
Base	CRP-10 Square Raised Panel 3/4" Hardwood-Cherry-B	M-Bead	L-034 (1/16" Radius-	Elite	19
Upper	CRP-10 Square Raised Panel 3/4" Hardwood-Cherry-B	M-Bead	L-034 (1/16" Radius-	Elite	16

Drawer Fronts	Style / Material	Panel Profile	Edge	Frame	Qty
	CRP-10 (Drawer Front) Square Raised Panel 3/4" Hardwood-Cherry-B	P-057	L-034 (1/16" Radius-	Elite	17

Drawer Boxes	Drawer Type / Material	Roll-Out Trays	Tray Type / Material
	Zargen Drawer System 3/4" M2S-Maple Melamine	Zargen Drawer System	3/4" M2S-Maple Melamine

Panels	Style / Material	Panel Profile	Edge	Frame	Qty
Panelized	CRP-10 Square Raised Panel 3/4" Hardwood-Cherry-B	M-Bead	L-034 (1/16" Radius-	Elite	5
Slab	Savoy MDF Core Veneer Slab with .5mm veneer edge 3/4" Veneer-Cherry		Design Specific (edge)		7
Appliance	CRP-10 Square Raised Panel 3/4" Hardwood-Cherry-B	M-Bead	L-034 (1/16" Radius-	Elite	1
Wainscot	CRP-10102 Square Raised Panel-Double Panel 3/4" Hardwood-Cherry-B	M-Bead	L-034 (1/16" Radius-	Elite	

# Chapman Itemized List Report

## Kitchen

		Qty	Molding Linear Footage	Total Item Cost w/Tax & Discounts
<b>Accessory</b>				
Functional Accessories	Lazy Susan-REV-6012-24-11-52 Round (24")	1		\$85.89
Complexity Upcharge	Glass Door-6 Lite (mullion)-per door	2		\$52.04
			<b>Total Accessory</b>	<b>\$137.93</b>
<b>Cabinet</b>				
Upper	Upper-FA-Open	1		\$356.17
Base	Base-FA-1 Drawer over Pair	4		\$624.74
Base	Base-FA-1 Drawer over Single	3		\$468.56
Base	Base-FA-1 False Front over Pair Doors	2		\$257.70
Base	Base-FA-3 Drawer Stack	2		\$393.93
Tall	Tall-FA-1 Pair over Dbl. Oven over Single Drawer	1		\$336.36
Tall	Tall-FA-2 Pair (4) Door Pantry	1		\$269.69
Upper	Upper-FA-Pair	3		\$408.90
Upper	Upper-FA-Pair over Refrigerator	1		\$128.31
Upper	Upper-FA-Pair-Short	1		\$113.03
Upper	Upper-FA-Single	2		\$272.59
Vanity	Vanity-FA-1 False Front over Pair	1		\$135.50
			<b>Total Cabinet</b>	<b>\$3,765.48</b>
<b>Decorative Trim</b>				
Corbels	Corbels-CWS-9 X 9-B-Cherry	1		\$41.60
			<b>Total Decorative Trim</b>	<b>\$41.60</b>
<b>Door</b>				
Base	Door CRP-10	4		\$302.28
Base	Door CRP-10	11		\$981.08
Tall	Door CRP-10	6		\$852.25
Upper	Door CRP-10	12		\$1,595.66
Vanity	Door CRP-10	2		\$203.47
			<b>Total Door</b>	<b>\$3,934.74</b>
<b>Drawer Front</b>				
Base	Drawer Front CRP-10 (Drawer Front)	2		\$108.88
Base	Drawer Front CRP-10 (Drawer Front)	13		\$852.95
Tall	Drawer Front CRP-10 (Drawer Front)	1		\$98.98
Vanity	Drawer Front CRP-10 (Drawer Front)	1		\$73.86
			<b>Total Drawer Front</b>	<b>\$1,134.67</b>
<b>Filler</b>				
Base	Base-Filler-1 1/2"	4		\$207.52
Base	Base-Filler-3"	1		\$14.23

## Chapman Itemized List Report

Tall	Tall-Filler-1 1/2"	3		\$48.85
Upper	Upper-Filler-1 1/2"	3		\$37.65
		<b>Total Filler</b>		\$308.25
<b>Hardware</b>				
Functional Hardware	Grass 6000 Series Zargen Drawer System	11		\$222.75
Functional Hardware	Grass Nexis Hinge and Plate	63		\$304.47
Surface Hardware	Knob-\$3.25 per door budget (need selection)	31		\$219.31
Surface Hardware	Knob-\$3.25 per drawer front budget (need selection)	12		\$84.89
Surface Hardware	test	1		\$2.45
		<b>Total Hardware</b>		\$833.87
<b>Moldings</b>				
Crown	Crown-T32-Vintage-Cherry	5	40	\$699.38
Light Rail	Light Rail-Vintage-Cherry	3	24	\$312.22
		<b>Total Moldings</b>		\$1,011.60
<b>Panel</b>				
Appliance	Appliance (DW) installed by others	1		\$241.37
End	Base-End Panel-Blind	1		\$116.60
End	Tall-End Panel-Panelized	1		\$548.92
End	Tall-End Panel-Slab	1		\$319.07
End	Upper-End Panel-Panelized	4		\$526.91
End	Upper-End Panel-Slab	5		\$457.28
		<b>Total Panel</b>		\$2,210.15
<b>Toe Board</b>				
	Toe Board-4 1/4"	4		\$221.62
		<b>Total Toe Board</b>		\$221.62

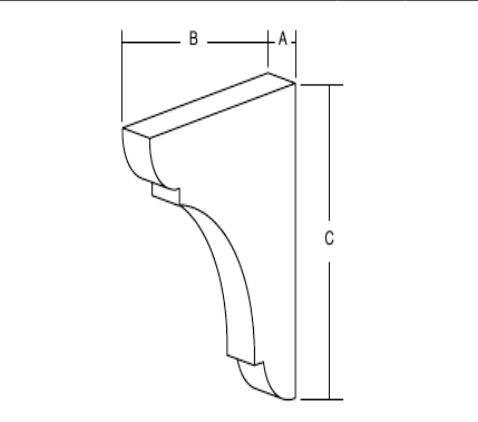
# Chapman Itemized List Report

## Kitchen



Lazy Susan-REV-6012-24-11-52 Round (24")

Pickford Bracket



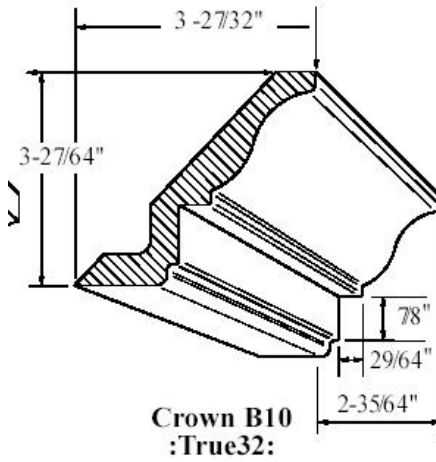
Corbels-CWS-9 X 9-B-Cherry



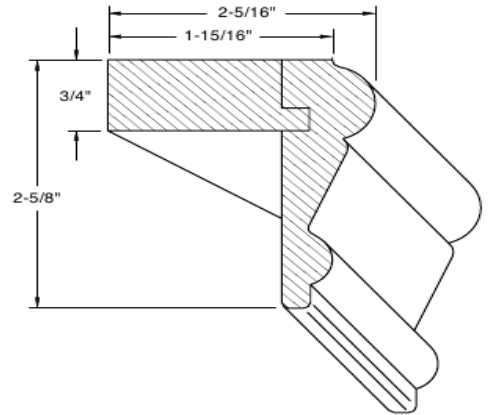
Grass 6000 Series Zargen Drawer System



Grass Nexis Hinge and Plate



Crown-T32-Vintage-Cherry



Light Rail 1619\*\* w/mounting plate†

Light Rail-Vintage-Cherry

# Estimate

## Testing this text

Your Logo  **Custom Cabinet Estimator**  
Your Street  
Your City, ST 00000  
David McClatchey  
State License #: BR549

Job Name: Chapman  
Lot Number: 114  
Subdivision: Princeton Hills

**Terms:** 50 % deposit required to place job into production schedule, balance due prior to delivery.

We would like to thank you for giving us the opportunity to provide an estimated cost for your cabinetry project. The following estimate is valid for 30 days from the date listed above. This estimate was determined by information provided by you the homeowner or builder (i.e. blueprints, sketches or drawings), and is subject to change based on the accuracy of that information. The following estimate includes all labor, materials and sales tax to produce, deliver and install the project (unless noted that the product is to be picked-up at Your Company Name, which would not include delivery and installation).

If this estimate meets your expectations, we would like to begin the design process. This would require you to approve the design fee listed below. In return, we will provide you with computer-generated elevation, floor plan and three-dimensional views of our proposed design. If you choose to purchase your cabinetry from us, this design fee will be credited toward your cabinetry. If you choose not to purchase your cabinetry from us, the drawings are yours to keep, and can be freely shared with others to assist in achieving your ultimate cabinetry design. This design fee allows for two design change requests, further changes will involve a nominal charge for each additional design change.

**Estimate**  
**Testing this text**



**Custom Cabinet Estimator**  
Your Street  
Your City, ST 00000  
David McClatchey  
State License #: BR549

Job Name: Chapman  
Lot Number: 114  
Subdivision: Princeton Hills

	Room Totals	Qty	Job Totals
Job Cost for Kitchen :	\$13,927.44	x 1	\$13,927.44
Sub Total Chapman :			\$13,927.44
Blanket Wrap, Load, Transport, Unload, Pack Into Room to be Installed			\$467.95
<b>Total Job Cost for Chapman :</b>			<b>\$14,395.39</b>

<b>Payment Schedule</b>	
Design Fee Required (to begin the design process)	\$421.79
Deposit Amount Due (per terms on previous page)	\$6,775.91
Final Payment Amount Due (per terms on previous page)	\$7,197.69

The design fee listed above is satisfactory and hereby accepted. You are authorized to begin the design process.

Contractor's Signature \_\_\_\_\_ Date \_\_\_\_\_

Customer's Signature \_\_\_\_\_ Date \_\_\_\_\_

*Please date, sign, and return original with any required fees and/or deposits to  
Custom Cabinet Estimator*